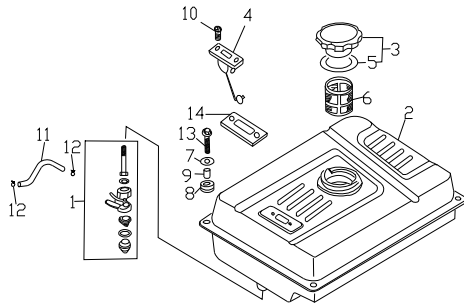


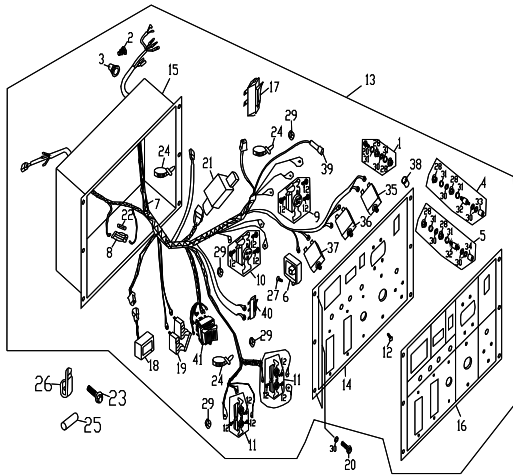
GMC Sierra 5500  
Parts Diagram

### G-02 Fuel Tank Assy



1	16930/2GF-3	Fuel cock	1
2	16610/5GF-3	Fuel tank	1
3	16500/2GF-3	Fuel filler cap comp	1
4	37820/2GF-3	Fuel sensor	1
5	16521/2GF-3	Packing ring	1
6	16916/2GF-3	Fuel filler	1
7	16821/2GF-3	Washer	4
8	16811/2GF-3	Cushion	4
9	16824/2GF-3	Fitting brush, fuel tank	4
10	GB819-85	Screw M5×10	2
11	16931/2GF-3	Outlet pipe	1
12	16937/2GF-3	Tube clip	2
13	GB5787-86	Flange bolt M6×22	4
14	37825/2GF-3	Gasket fuel sensor	1

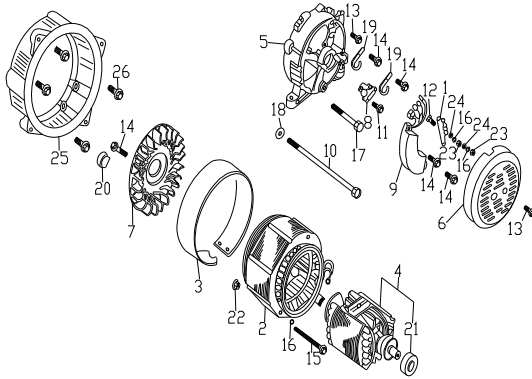
### G-03 Control Panel



1	32520/2GF-3	Earth terminal	1
2	32115/2.8GF-3	Boot, AC output wire	1
3	32116/2.8GF-3	Boot, main wire harness	1
4	32540/2GF-3	DC cathode terminal	1
5	32530/2GF-3	DC anode terminal	1
6	37470/4GF-3	Diode Assy	1
7	32100	Main wire harness Assy	1
8	31720/4GF-3	Fuse case	1
9	35550/4GF-3	Foul holes receptacle (30A)	1
10	35540/4GF-3	Three holes receptacle (30A)	1
11	35530/4GF-3	Duplex receptacle J.F.C. I(20A)	2
12	GB818-2000	Bolt M4×10	14
13	37300/SIERRA5500	Control panel Assy	1
14	37310/SIERRA5500	Control panel	1
15	37320/SIERRA5500	Control panel case	1
16	68511/SIERRA5500	Panel switch mark	1
17	35410/182F-AS	Ignition switch	1
18	37430/2GF-3	V. F. T-meter	1
19	31710/5GF-3	Circuit protector, 21A	1
20	GB818-2000	Bolt M6×16	4
21	31330/2.8GF-3	Rectifier	1
22	31730/2GF-3	Safety tube	1
23	GB5787-2000	Bolt M6×16	1
24	32214/2.8GF-3	Wire clamp	3
25	32412/173F	Wire grommet	1
26	32413/173F	Wire clamp	1
27	GB818-2000	Screw M4×12	12
28	GB6170-2000	Nut M6	3
29	GB6170-2000	Nut M4	8
30	GB97.1-2002	Flat washer 6mm	3
31	GB93-1986	Spring washer 6mm	3
32	32531/2GF-3	Double-headed bolt assy	1

33	32543/2GF-3	Locknut for cathode cable joint	1
34	32533/2GF-3	Locknut for anode cable joint	1
35	31740/2GF-3	Dc overload heat protector 8A	1
36	31760/2GF-3	Ac overload heat protector 30A	2
37	31750/2GF-3	Ac overload heat protector 20A	2
38	31790/2GF-3	Cap of dustproof	5
39	37520/2GF-3	Oil light	1
40	35430/5GF-3	Auto throttle	1
41	31610/6GF-3	AC Voltage selector	1

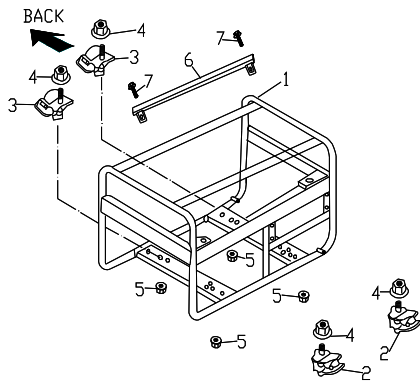
### G-04 GENERATOR



1	31415/2.8GF-3	Connecting plate	1
2	31200/SIERRA5500	Stator Assy	1
3	31936/SIERRA5500	Stator cover	1
4	31100/SIERRA5500	Rotor Assy	1
5	31411/2.8GF-3	Generator stay	1
6	31938/2.8GF-3	Generator end cover	1
7	31141/2.8GF-3	Generator fan	1
8	31370/2.8GF-3	Brush Assy	1
9	31600/5GF-3	Voltage regulator	1
10	31933/SIERRA5500	Bolt 5/16-24UNF×230	1
11	31997/2.8GF-3	Screw M5×18	1

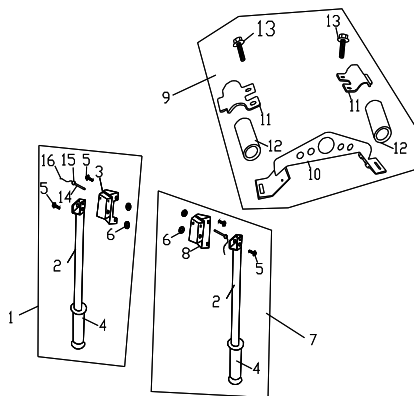
12	GB5783-2000	Bolt M5×20	2
13	31995/2GF-3	Screw M5×12	3
14	31996/2GF-3	Screw M5×14	9
15	31414/5GF-3	Bolt M5×213	2
16	GB93-1987	Spring washer 5mm	6
17	31931/5GF-3	Bolt M6×180	4
18	31134/2.8GF-3	Plain washer	1
19	32216/2.8GF-3	Clip A	2
20	11325/2.8GF-3	Plug, sump	1
21	GB276-1994	Bearing 6204-2ZN	1
22	31932/2.8GF-3	Nut M5	2
23	GB6170-2000	Nut M5	4
24	GB97.1-2002	Washer 5mm	6
25	31939/5GF-3	Generator head cover	1
26	31934/5GF-3	Bolt 3/8-16UNC	4

**G-05 Frame**



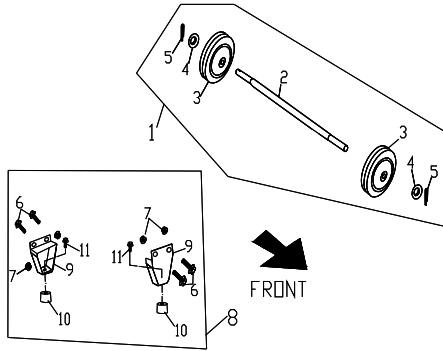
1	41100/SIERRA5500	Frame comp	1
2	41310/4GF-3	Bottom rubber A	2
3	41320/4GF-3	Bottom rubber B	2
4	GB6177-86	Nut M10	4
5	GB6177-86	Nut M8	4
6	41210/SIERRA5500	Side frame	1
7	GB5787-86	Bolt M8×16	2

**G-06 WHEEL KIT ASSY**



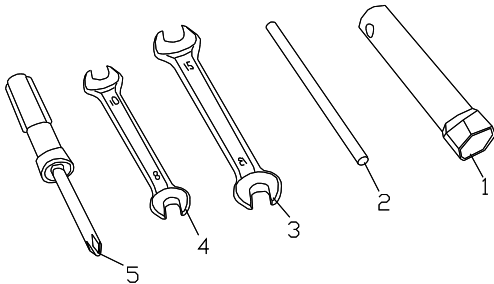
1	51400/SIERRA5500	Handle components, Left	1
2	51420/4GF-3	Handle Assy	2
3	51410/SIERRA5500	Handle Assy, Left	1
4	51422/2GF-3	Handle boot	2
5	GB5789-2000	Bolt M8×45	6
6	GB6177-2000	Nut M8	6
7	51500/SIERRA5500	Handle components, Right	1
8	51510/SIERRA5500	Handle assy, Right	1
9	52000/SIERRA5500	Skyhook components	1
10	52110/6GF-3	Skyhook Assy	1
11	52211/6GF-3	Pressure	2
12	52311/SIERRA5500	Rubber cover	2
13	GB5789-2000	Bolt M8×20	4
14	51431	Bolt $\varnothing$ 4.5×40	2
15	51432	Bolt ring	2
16	51433	line	2

**G-07 WHEEL KIT ASSY**



1	42000/SIERRA550 0	Wheel kit Assy	1
2	42110/SIERRA550 0	Wheel axel	1
3	42210/5GF-3	Wheel kit	2
4	42251/5GF-3	Plain washer	2
5	GB91-2000	Split pin 4.0×28	2
6	GB5787-2000	Bolt M8×45	4
7	GB6177-2000	Screw M8	4
8	41300/SIERRA550 0	Stand Assy	1
9	41340/SIERRA550 0	Stand	2
10	41350/2GF-3	Cushion	2
11	GB5787-2000	Bolt M6×12	2

**G-08 TOOLS**



1	58121/2GF-3	Extension bar	1
2	58122/2GF-3	Sparking plug wrench	1
3	58313/2GF-3	Spanner 13-15	1
4	58311/2GF-3	Spanner 8-10	1
5	58321/2GF-3	Screwdriver	1